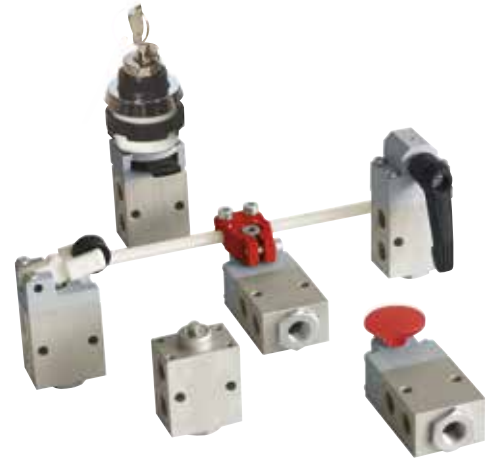


G1/8 - 3/2-Way Valves - Series K9

Actuation:

- Rotary lever, indexed
- Rotary lever, spring return
- Rotary lever, indexed, secured in two positions
- Pushbutton
- Cam operation
- Toggle cam operation
- Plunger operated
- Cam operated, free cam left or free cam right
- Pivoted lever
- Pedal
- Actuators for panel mounting



Operating information

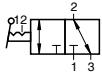
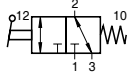
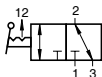
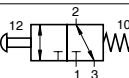
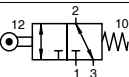
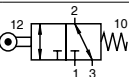
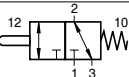
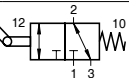
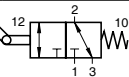
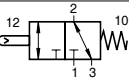
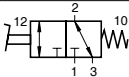
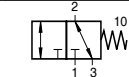


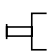
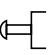


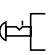
System	Poppet Valve	Pneumatic Characteristics
Mounting	2 Screws M4	
Tube connection	Thread	Nominal pressure 6 bar
Port size	G1/8	Operating pressure range 0–10 bar
Installation	In any position	Nominal flow 220 l/min
Ambient temperature range	-10 °C to +55 °C	Flow direction 1 → 2 normally closed 3 → 2 normally open
Medium temperature range	+5 °C* to +60 °C	Actuation Manual, mechanical and pedal actuated
	Note: Please consult us for operating temperatures below 0° C	Stroke 1.5–3 mm
Medium	Filtered and lubricated or filtered and unlubricated air	* -10°C when using dry compressed air
Lubrication	None or oil mist lubrication	

Actuation Forces, Rotation Angles and Weight

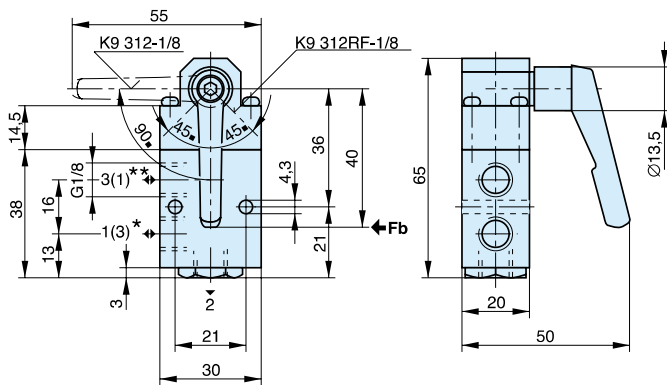
Description	Type	Actuation force (N)	Rotation angle	Weight mass (kg)
Rotary lever, indexed	K9 312-1/8	4.5	±45°, 90°	0.110
Rotary lever, spring return	K9 312RF-1/8	4.5	±45°, 90°	0.110
Rotary lever, indexed secured in both positions	K9 312S-1/8	4.5	±45°, 90°	0.110
Pushbutton	K9 314RF-1/8	25	–	0.075
Cam operation	K9 321RF-1/8	11	–	0.070
Toggle cam operation	K9 324RF-1/8	5	±40°	0.120
Plunger operated	K9 323RF-1/8	32	–	0.050
Cam operated free cam left	K9 325RF-1/8	5	±40°	0.120
Cam operated free cam right	K9 326RF-1/8	5	±40°	0.120
Pivoted lever	K9 329RF-1/8	2*	±40°	0.115
Pedal	K9 331RF-1/8	12	–	0.800
Basic valve for panel mounting actuators	K9 390RF-1/8	35	–	0.060

* at a distance of 100 mm from fulcrum

Order Instructions – 3/2 Way Poppet Valves, Series K9

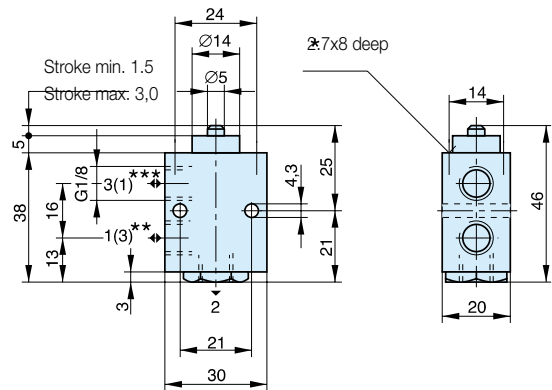
Actuation	Symbol	Mounting Ø (mm)	Order Instructions Type	Order code
Rotary lever, indexed			K9312-1/8	PA 10269
Rotary lever, spring return			K9312RF-1/8	PA 10270
Rotary lever, indexed secured in both positions			K9312S-1/8	PA 10349
Pushbutton			K9314RF-1/8	PA 10271
Cam operation			K9321RF-1/8	PA 10272
Toggle cam operation			K9324RF-1/8	PA 10273
Plunger operated			K9323RF-1/8	PA 10235
Cam operated free cam left			K9325RF-1/8	PA 10274
Cam operated free cam right			K9326RF-1/8	PA 10275
Pivoted lever			K9329RF-1/8	PA 10276
Pedal			K9331RF-1/8	PA 10277
Panel mounting valve with adaptor for interchangeable actuation			K9390RF-1/8	PA 10278
Rotary lever, indexed		22 30	12T-22 12T-30	KX 9355 KX 9314
Rotary lever, spring return		22 30	12T-RF-22 12T-RF-30	KX 9356 KX 9315
Pushbutton		22 30	13T-RF-22 13T-RF-30	KX 9357 KX 9316
Mushroom pushbutton		22 30	15T-RF-22 15T-RF-30	KX 9358 KX 9317
Locking switch		22 30	16T-22 16T-30	KX 9359 KX 9318
Rotary switch		22 30	17T-22 17T-30	KX 9360 KX 9319
Mushroom switch Emergency Shutdown		22 30	18T-22 18T-30	KX 9361 KX 9320

Rotary Lever – Type: K9 312..-1/8



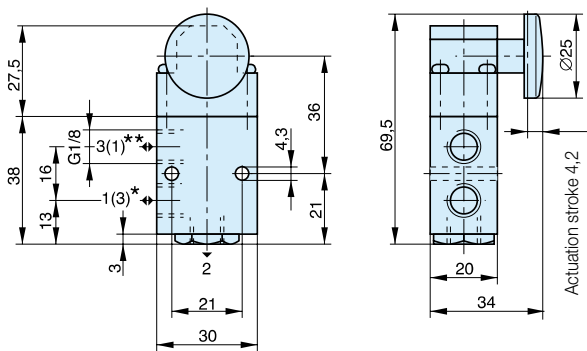
* = P when used as “normally closed”
 ** = P when used as “normally open”

Plunger Operated – Type: K9 323RF-1/8



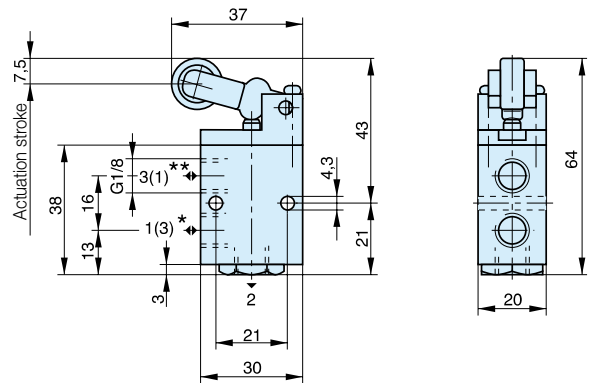
* Self tapping screws CM 3x.. DIN 7500 to be used
 ** = P when used as “normally closed”
 *** = P when used as “normally open”

Pushbutton – Type: K9 314RF-1/8



* = P when used as “normally closed”
 ** = P when used as “normally open”

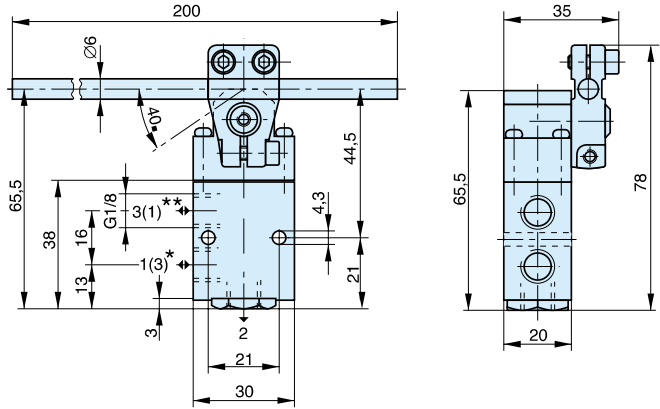
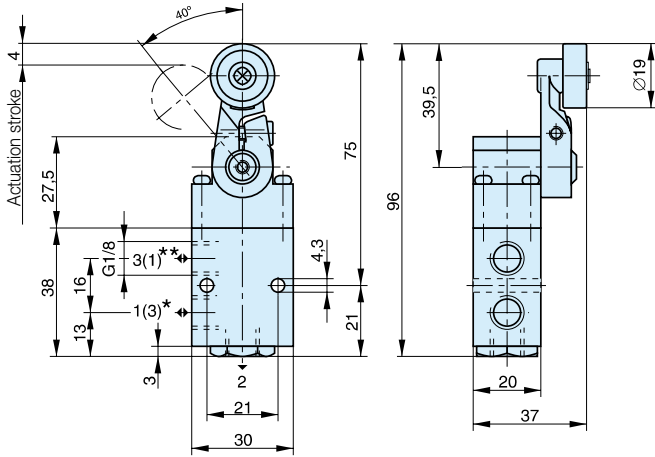
Cam operation– Type: K9 321RF-1/8



* = P when used as “normally closed”
 ** = P when used as “normally open”

Toggle Cam Operation – Type: K9 324RF-1/8

Pivoted Lever – Type: K9 329RF-1/8

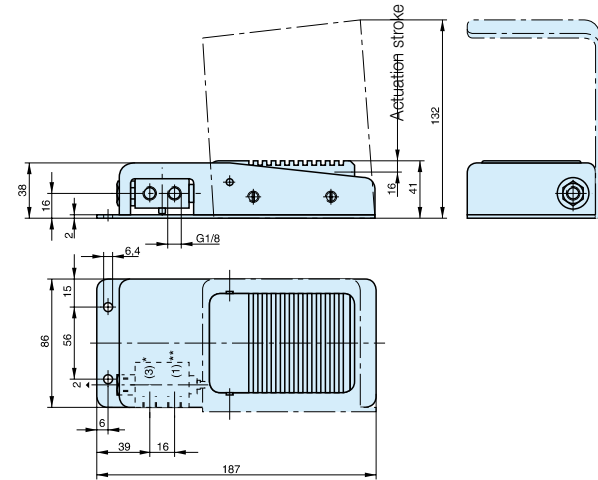
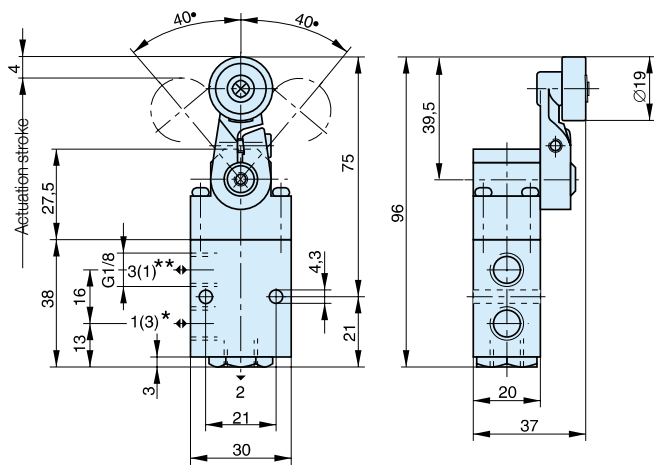


* = P when used as “normally closed”
 ** = P when used as “normally open”

* = P when used as “normally closed”
 ** = P when used as “normally open”

Cam Operated free cam left / right
 Type: K9 325RF-1/8, K9 326RF-1/8

Pedal – Type: K9 331RF-1/8

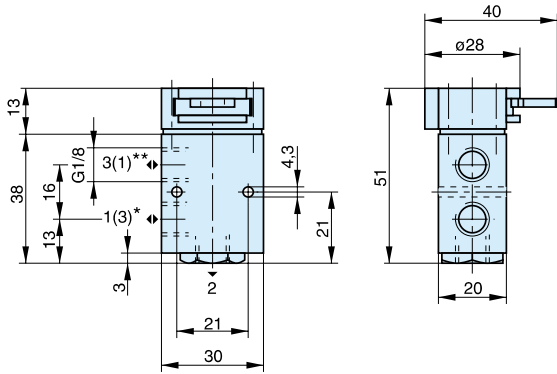


* = P when used as “normally closed”
 ** = P when used as “normally open”

* = P when used as “normally closed”
 ** = P when used as “normally open”

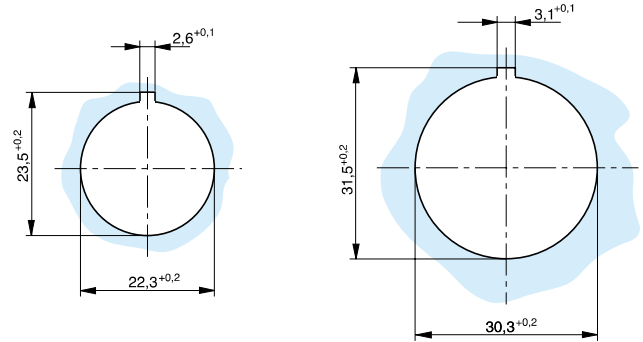
**Basic Valve with adaptor for panel mounting
Type: K9 390RF-1/8**

**Mounting holes for mounting
diameters 22 and 30 mm**



Mounting diameter Ø22 mm

Mounting diameter Ø30 mm



* = P when used as "normally closed"
** = P when used as "normally open"

Rotary Lever, indexed – Type: 12T-22, 12T-30

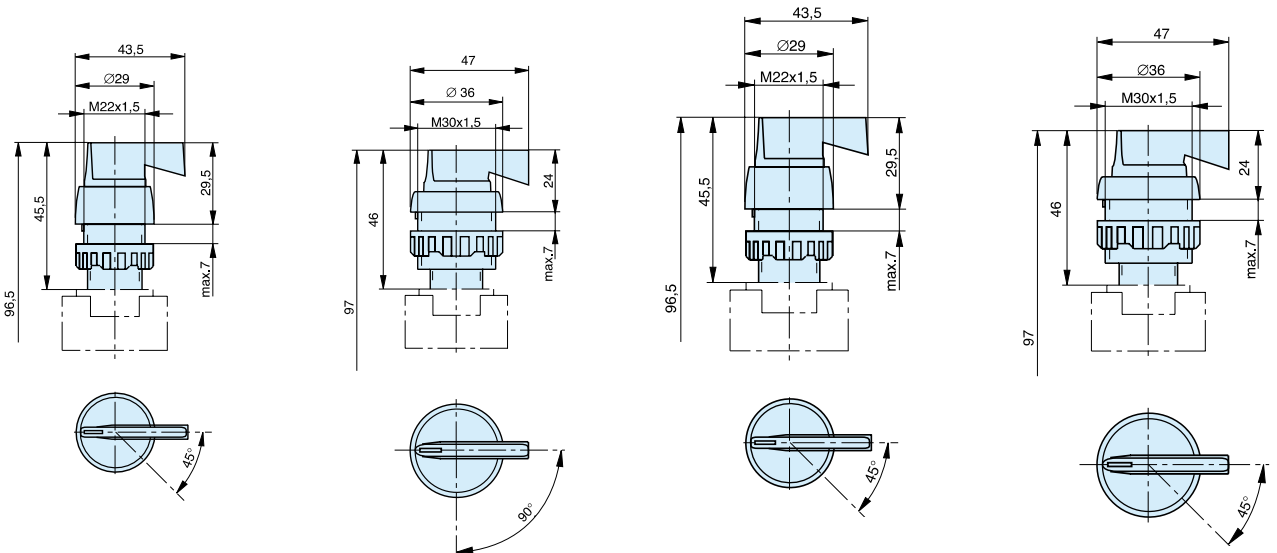
**Rotary Lever with spring return
Type: 12T-RF-22, 12T-RF-30**

Mounting diameter Ø22 mm

Mounting diameter Ø30 mm

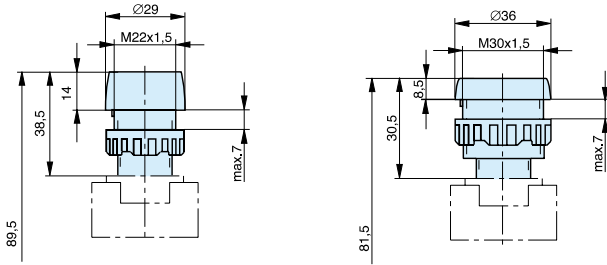
Mounting diameter Ø22 mm

Mounting diameter Ø30 mm



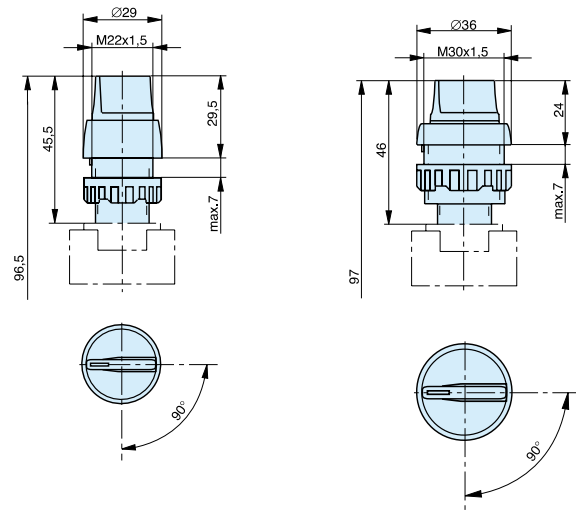
Pushbutton
 Type: 13T-RF-22, 13T-RF-30

Mounting diameter Ø22 mm Mounting diameter Ø30 mm



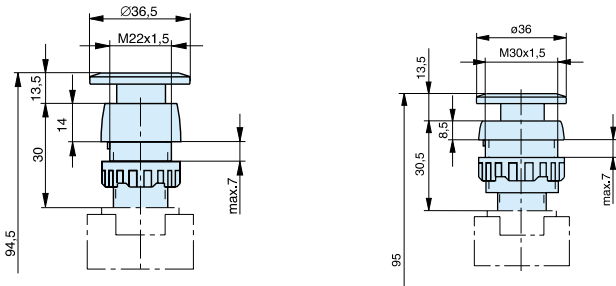
Rotary Switch
 Type: 17T-22, 17T-30

Mounting diameter Ø22 mm Mounting diameter Ø30 mm



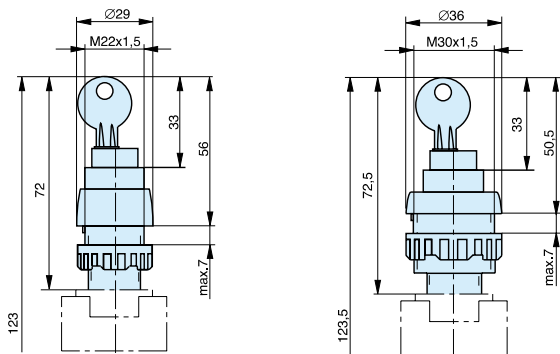
Mushroom Pushbutton
 Type: 15T-RF-22, 15T-RF-30

Mounting diameter Ø22 mm Mounting diameter Ø30 mm



Locking Switch
 Type: 16T-22, 16T-30

Mounting diameter Ø22 mm Mounting diameter Ø30 mm



Mushroom Switch (Emergency Shutdown)
 Type: 18T-22, 18T-30

Mounting diameter Ø22 mm Mounting diameter Ø30 mm

